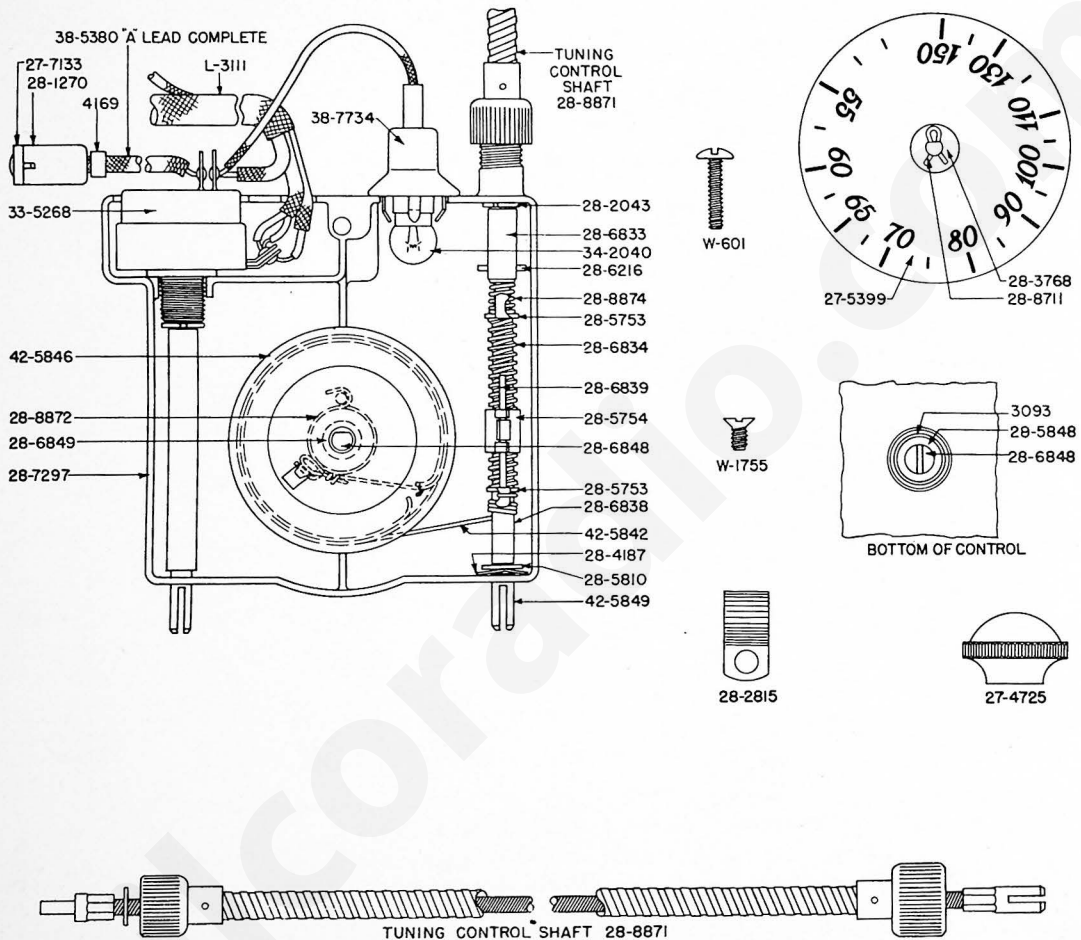


STANDARD CONTROL---MODELS 926, 927 and 928K



PARTS LIST

PART NUMBER	DESCRIPTION
L-3111	Cable
W-601	Screw
W-1755	Screw
3083	Washer
4169	Washer
27-4285	Rubber Sleeve
27-4725	Knob
27-5399	Dial
27-7133	Ferrule
28-1270	Housing
28-2043	Washer
28-2815	Clamp
28-4187	Washer

PART NUMBER	DESCRIPTION
28-4500	Washer
28-5753	Stop
28-5754	Gear Follower
28-5810	Washer
28-5848	Washer
28-6216	Pin
28-6833	Tuning Shaft End
28-6834	Gear
28-6838	Bushing
28-6839	Pin
28-6848	Dial Shaft
28-6849	Dial Spacing Bushing
28-7297	Bottom Cover

PART NUMBER	DESCRIPTION
28-7298	Top Cover
28-8711	Spring
28-8871	Flexible Shaft
28-8872	Anti Backlash Spring
28-8874	Spring
33-5268	Volume Control & Switch Assembly
34-2040	Pilot Lamp
38-5380	"A" Lead
38-7734	Pilot Lamp Assembly
42-5840	Control Assembly
42-5842	Cord
42-5846	Drum
42-5849	Tuning Shaft & Knob End Assembly